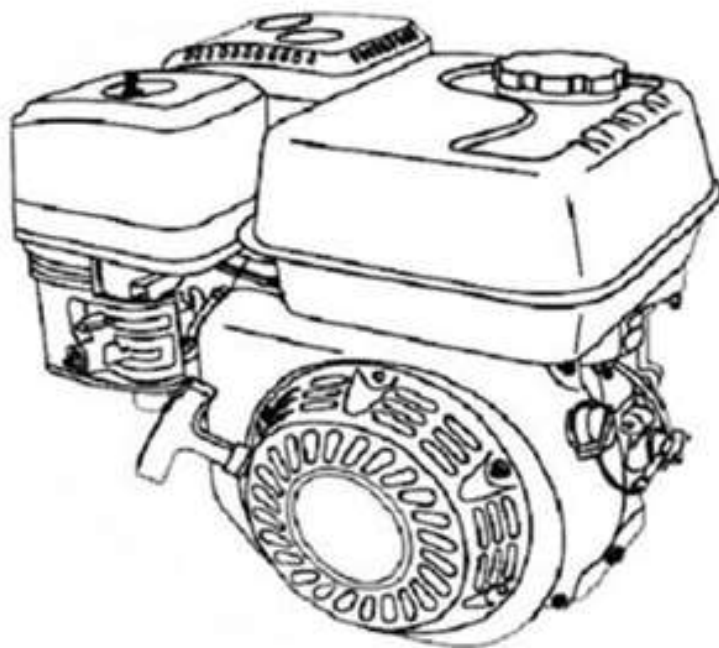


 **LONCIN** 隆鑫



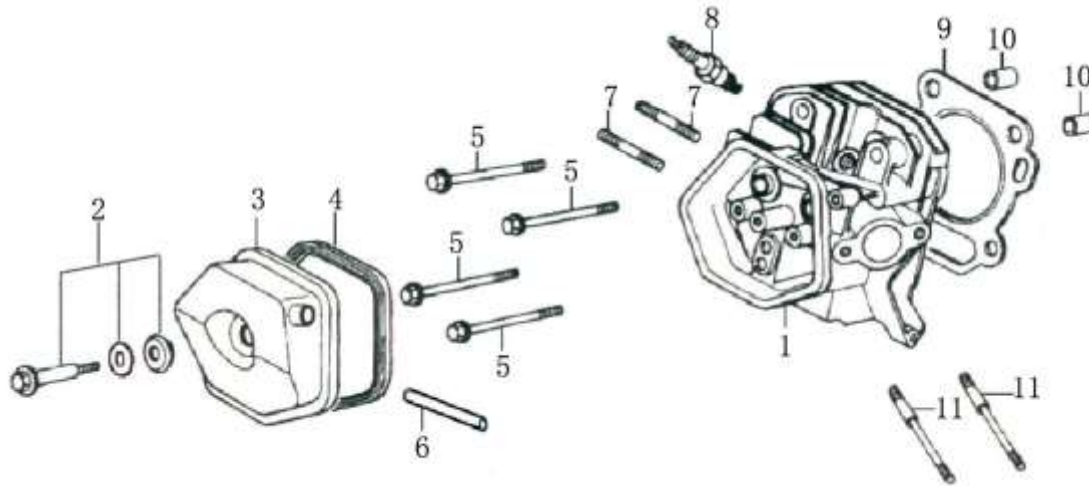
G270F-P5

(T096000186-0001054)

LONCIN MOTOR CO., LTD.

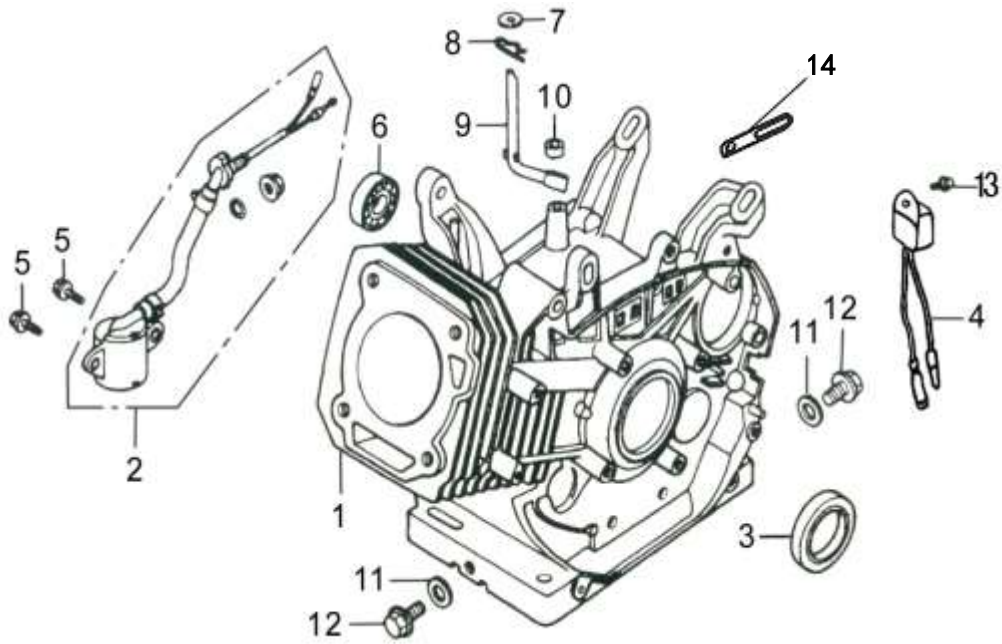


CYLINDER HEAD



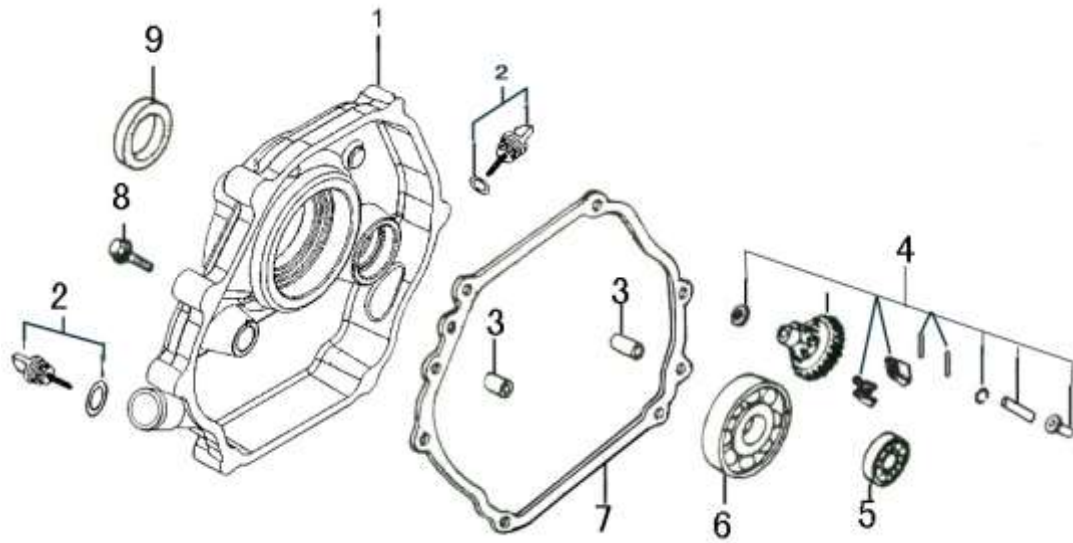
ITEM NO.	PART NUMBER	DESCRIPTION	Q'TY	REMARK
1	120080284-0001	Cylinder head	1	B
2	120420011-0001	Bolt combination for cylinder head cover	1	C
3	120220009-0001	Cylinder head cover assy	1	C
4	380840425-0001	Seal ring	1	A
5	380140337-0001	Hexagon bolt with flange	4	C
6	380740460-0001	Breather tube	1	A
7	380180099-0001	Stud	2	C
8	270960014-0001	Spark plug	1	A
9	120150145-0001	Gasket for cylinder head	1	A
10	380600116-0001	Location pin	2	C
11	380180092-0001	Stud	2	C

CRANKCASE



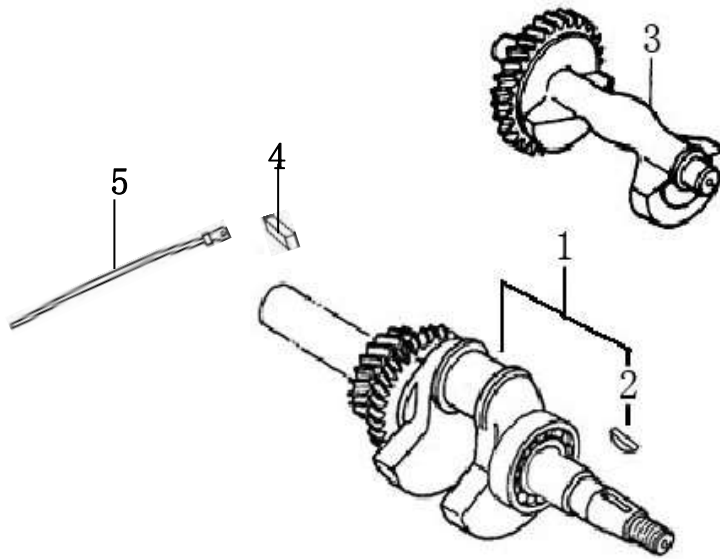
ITEM NO.	PART NUMBER	DESCRIPTION	Q'TY	REMARK
1	110810285-0001	Crankcase body	1	B
2	281850152-0001	Oil level sensor	1	A
3	380650336-0001	Oil seal	1	A
4	281890001-0001	Engine oil protector	1	A
5	380140215-0003	Hexagon bolt with flange	2	C
7	380450522-0001	Flat washer	1	C
8	381350004-0001	Pin clip	1	B
9	171630002-0001	Speed regulating arm	1	B
11	380450516-0001	Flat washer	2	C
12	110260024-0001	Sealing plug screw	2	C
13	380140001-0006	Hexagon bolt with flange	1	C
14	380940346-0003	Cable cleat	1	B

CRANKCASE COVER



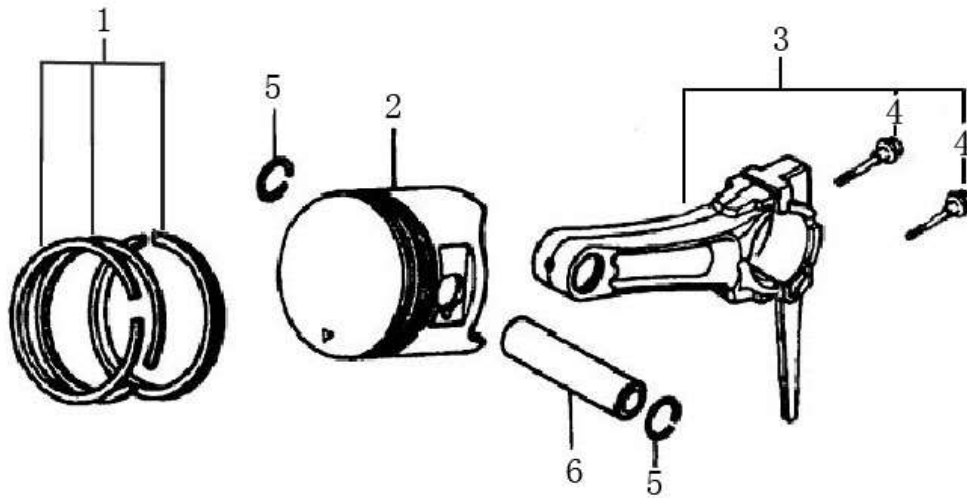
ITEM NO.	PART NUMBER	DESCRIPTION	Q'TY	REMARK
1	110820006-0001	Crankcase cover	1	C
2	110690097-0003	Dipstick	2	B
3	380600119-0001	Location pin	2	C
4	171750008-0001	Components of governor gear	1	B
6	380630140-0002	Bearing	1	B
7	110830010-0001	Crankcase cover gasket	1	A
8	380140051-0005	Hexagon bolt with flange	7	C
9	380650336-0001	Oil seal	1	A

CRANKSHAFT



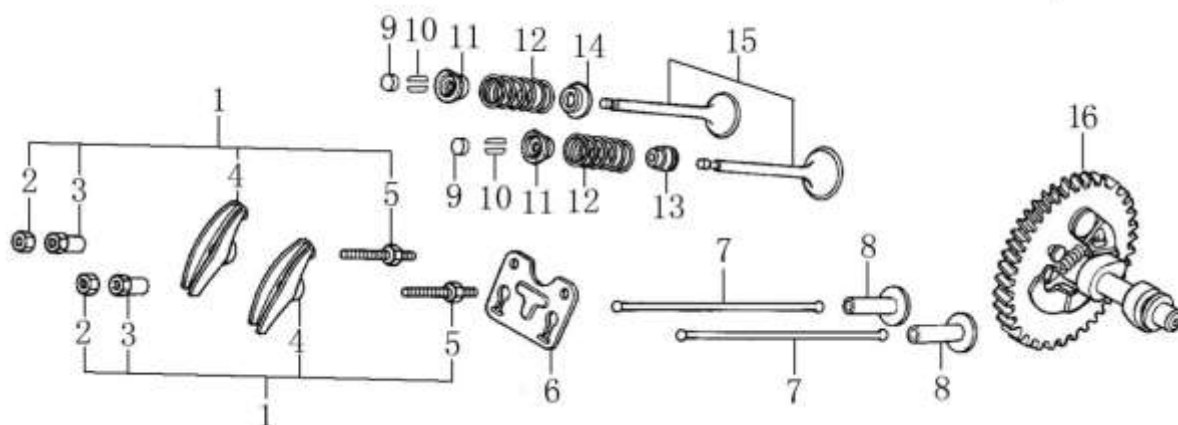
TEM NO.	PART NUMBER	DESCRIPTION	Q'TY	REMARK
1	130290061-0001	crankshaft	1	B
2	380620050-0001	Key	1	B
4	380620034-0001	Key	1	B
5	380900062-0001	Strap	1	A

PISTON & CON ROD



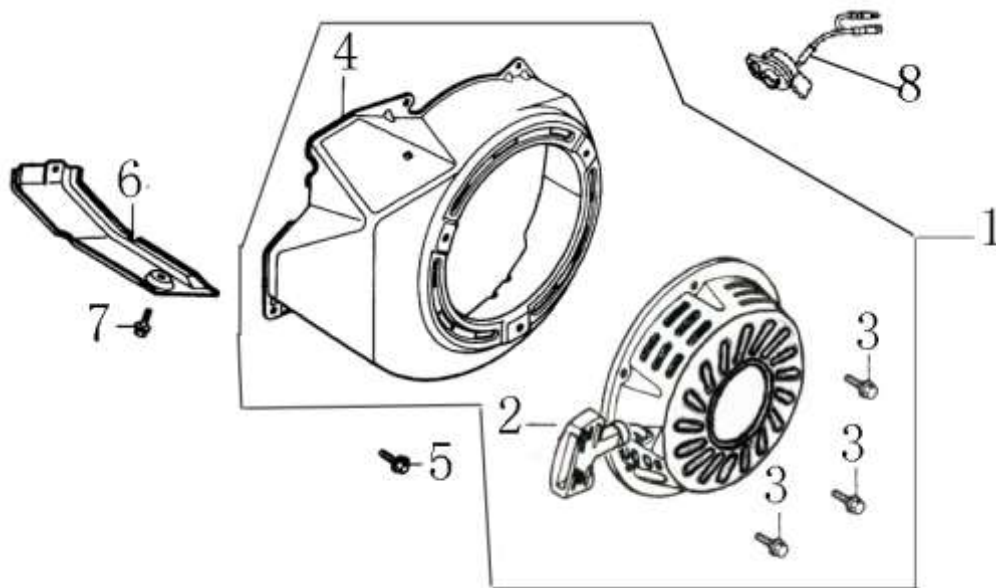
TEM NO.	PART NUMBER	DESCRIPTION	Q'TY	REMARK
1	130070184-0001	Piston ring combination	1	A
2	130030225-0001	Piston	1	A
3	130150163-0001	Connecting rod	1	B
4	130180002-0001	Connecting rod bolt	2	C
5	380560078-0001	Steel cable baffle ring	2	B
6	130060054-0001	Piston pin	1	B

VALVES



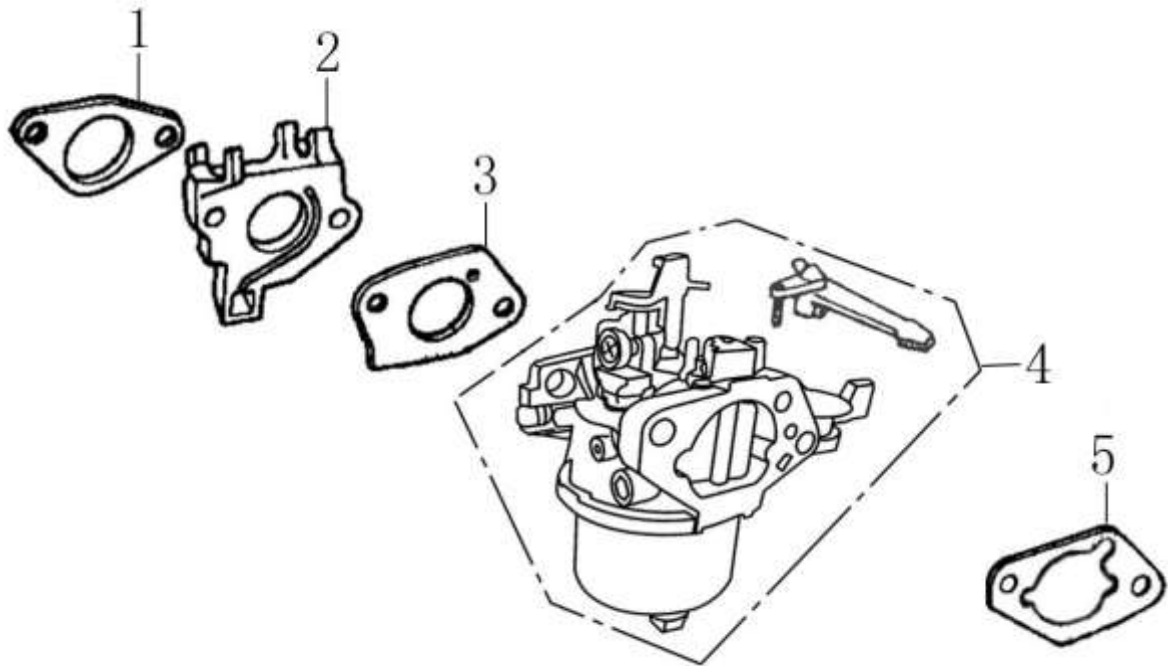
ITEM NO.	PART NUMBER	DESCRIPTION	Q'TY	REMARK
1	140450023-0001	Valve rocker combination	2	B
2	140470001-0001	Valve lock nut	2	B
3	140490012-0001	Adjustable nut of valve	2	B
4	140460024-0001	Valve rocker	2	B
5	140480012-0001	Adjustable bolt of valve	2	B
6	140710002-0001	Plate, push rod guide	1	B
7	140670005-0001	Push rod	2	B
8	140690004-0001	Lifter, Valve	2	B
9	140320002-0001	Valve adjustment cap	2	B
10	140390015-0001	Valve locker	4	B
11	140380021-0001	Retainer, valve spring	2	B
12	140340025-0001	Inner spring of valve	2	A
13	140400012-0001	Valve oil seal	1	A
14	140360010-0001	Seat, valve spring	1	B
15	500550031-0001	Valve Kit	1	B
16	140020112-0001	Camshaft assy	1	B

STARTER RECOIL



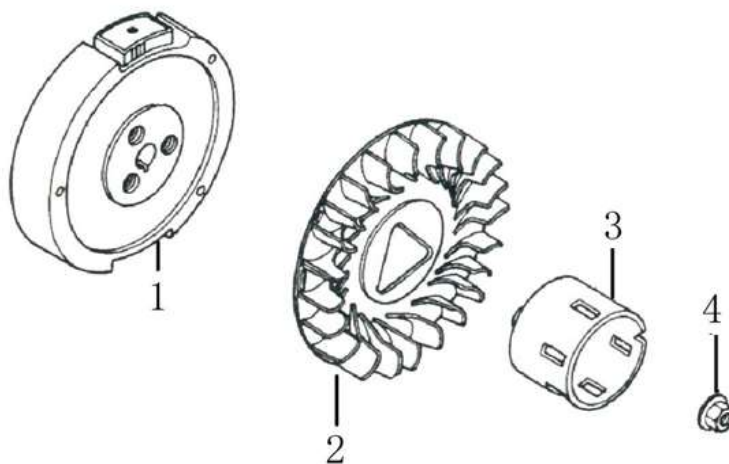
ITEM NO.	PART NUMBER	DESCRIPTION	Q'TY	REMARK
1	193490032-0019	Manual starting assembly	1	B
2	193500015-0003	Manual starting components	1	B
3	380140531-0001	Hexagon bolt with flange	3	C
4	160210009-0001	Fan cover comp.	1	C
5	380140011-0004	Hexagon bolt with flange	4	C
6	160190005-0001	air deflector	1	C
7	380140001-0006	Hexagon bolt with flange	1	C
8	271660028-0001	Stop switch	1	A

CARBURETTOR



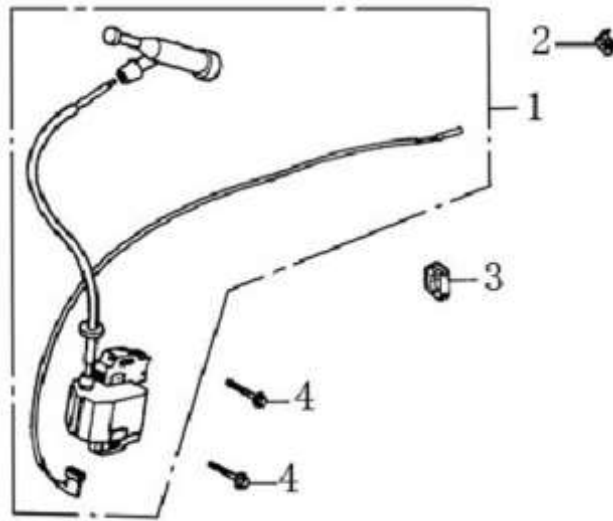
ITEM NO.	PART NUMBER	DESCRIPTION	Q'TY	REMARK
1	170430061-0001	Carburettor gasket	1	A
2	170440039-0001	Heat insulating pad for carburettor	1	B
3	170430049-0001	Carburettor gasket	1	A
4	170022240-0001	Carburettor	1	B
5	170430070-0001	Carburettor gasket	1	A

FLYWHEEL



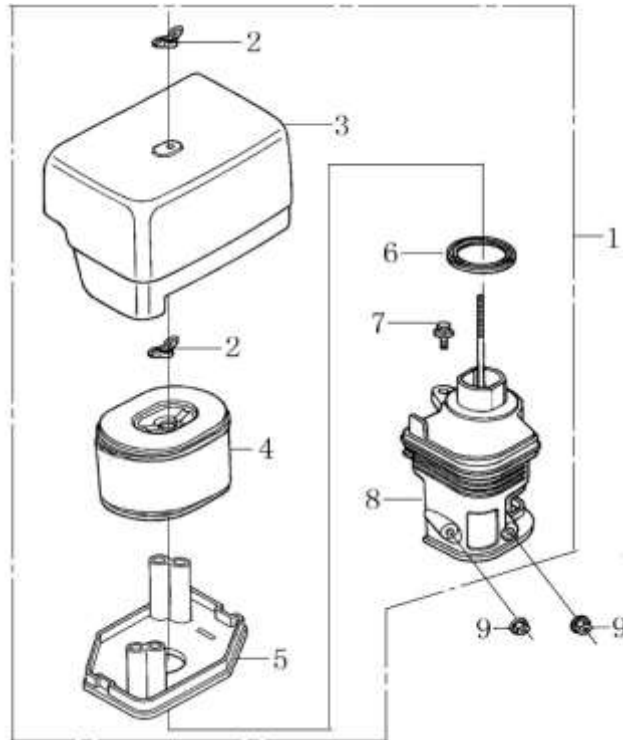
ITEM NO.	PART NUMBER	DESCRIPTION	Q'TY	REMARK
1	270020083-0001	FLYWHEEL COMP	1	B
2	160180040-0001	Impeller	1	A
3	193590004-0001	Starting disc	1	B
4	380370050-0001	Hexagon nut with flange	1	C

IGNITION



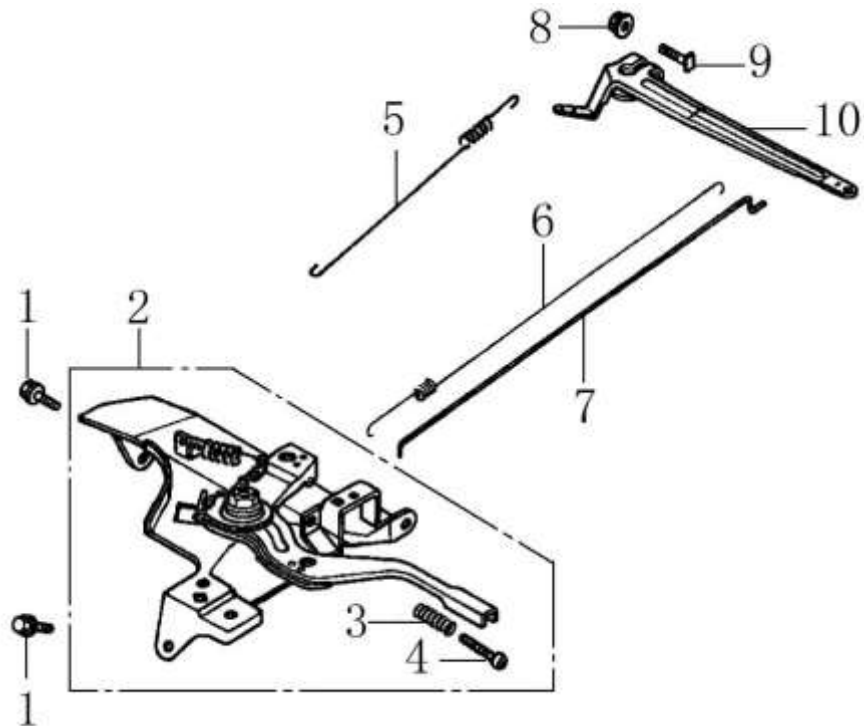
ITEM NO.	PART NUMBER	DESCRIPTION	Q'TY	REMARK
1	270920181-0001	COIL ASSY.,IGNNTION	1	A
2	380930024-0001	Location wire nail	1	B
3	380930023-0001	Location wire nail	1	B
4	380140102-0004	Hexagon bolt with flange	2	C

AIR FILTER



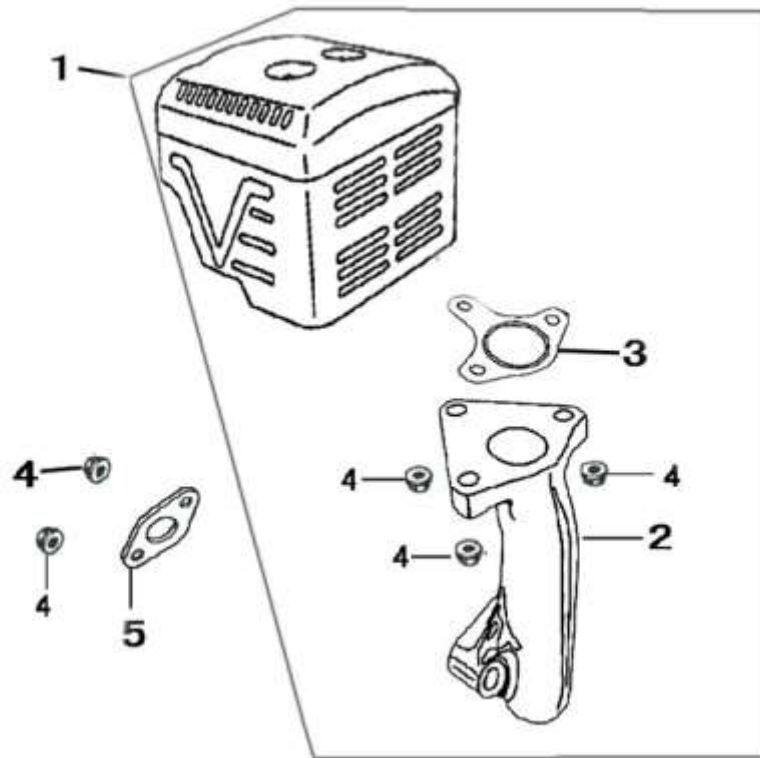
ITEM NO.	PART NUMBER	DESCRIPTION	Q'TY	REMARK
1	180020314-0001	Air filter	1	B
2	380440002-0001	Butterfly nut	2	C
3	180070089-0001	Air filter casing cover	1	B
4	180100038-0001	Air filter element	1	A
5	180330019-0001	Support plate body of filter element	1	B
6	380840432-0001	Seal ring	1	A
8	180280002-0001	Air filter seat	1	B
9	380370048-0001	Hexagon nut with flange	2	C

CONTROL



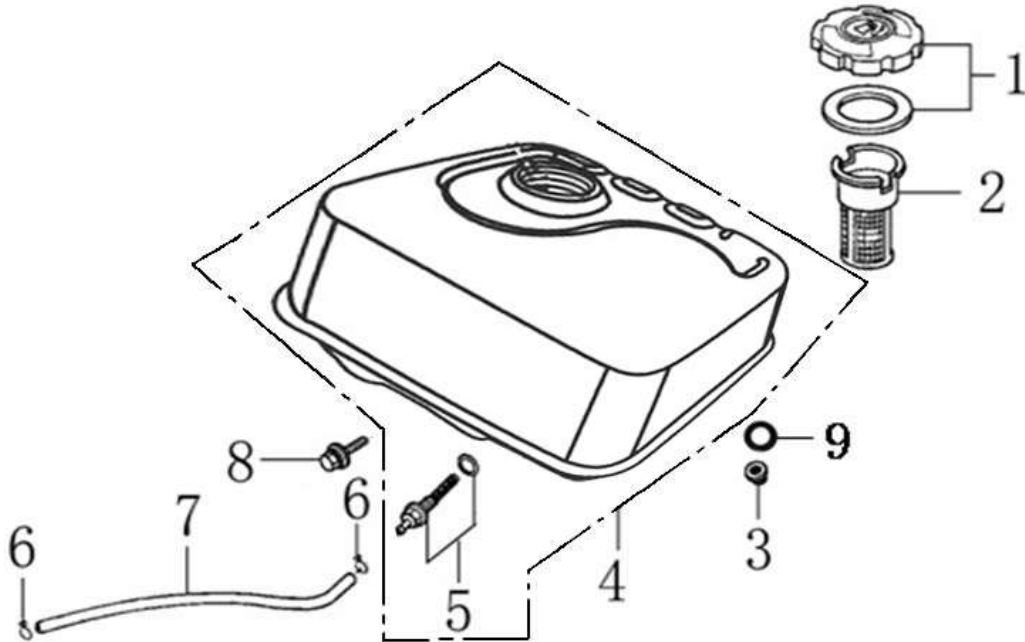
ITEM NO.	PART NUMBER	DESCRIPTION	Q'TY	REMARK
1	380140001-0006	Hexagon bolt with flange	2	C
2	171680012-0001	Throttle handle combination	1	B
3	171660002-0001	speed regulating Limit spring	1	A
4	380200017-0005	Cross recessed pan head screw	1	C
5	171600006-0001	Governing spring	1	A
6	171610001-0001	throttle return spring	1	A
7	171590003-0001	Throttle rod	1	B
8	380370066-0001	Hexagon nut with flange	1	C
9	380250002-0001	Square head set screw with flat point	1	C
10	171620002-0003	Speed regulating bracket	1	B

MUFFLER



ITEM NO.	PART NUMBER	DESCRIPTION	Q'TY	REMARK
1	180570769-0002	Muffler	1	B
2	180590092-0001	Outlet pipe	1	C
3	180660033-0001	Muffler gasket	1	A
4	380370007-0004	Hexagon nut with flange	5	C
5	180650090-0001	Outlet gasket	1	A

FUEL TANK



ITEM NO.	PART NUMBER	DESCRIPTION	Q'TY	REMARK
1	170870039-0001	Tank cover	1	B
2	170720001-0001	Fuel Filler filter screen	1	A
3	380370048-0001	NUT , FLANGE	2	C
4	170500571-0029	Tank	1	B
5	170660077-0001	Fuel Outlet	1	A
6	380950188-0001	Pipe clip	2	B
7	380750182-0002	Oil tube	1	A
8	380140102-0004	Hexagon bolt with flange	1	C
9	380920086-0001	rubber flat gasket	2	A